



GAS COMPONENTS



ELECTRIC COMPONENTS



WATER TECHNOLOGY



MECHANICAL COMPONENTS



TOOLS

Spare parts suitable for

DUD GASGERÄTE

Find the complete and up-to-date range of products in our GEV Webshop



Manufacturer catalogue

The most important spare parts and accessories arranged clearly for every manufacturer

- ✓ Complete product range and all appliance data always up to date in the GEV Webshop
- ✓ Alphabetical Index at the end of the catalogue

GEV Webshop

www.gev-online.co.uk

www.gev-online.com




- 🔍 Add to Favourites
- 🔍 Sign In with email address and usual password
- 🔍 Easy-order – place several items in your basket at the same time
- 🔍 Quick Item search – no login needed



gas taps


MP

gas taps



1


GEV No.	107775	Ref. No.	G1302
description	gas tap MP type 7KPa with nozzle outlet (with nozzle) gas inlet pipe flange ø23mm bypass nozzle ømm gas outlet ø 18mm external nozzle ø 1.03mm thermocouple connection M8x1 shaft ø 8x5mm shaft L 28/13mm shaft flat left		



1

GEV No.	106895	Ref. No.	G1302 G1302 (old version)
description	gas tap MP type 7KPa with nozzle outlet (with nozzle) gas inlet pipe flange ø23mm bypass nozzle ømm gas outlet ø 18mm external nozzle ø 1.03mm thermocouple connection M8x1 shaft ø 8x6.5mm shaft L 23/11mm shaft flat lower		

miscellaneous



1

GEV No.	103139	Ref. No.	G2204
description	gas tap gas inlet 1/4" left bypass nozzle ømm gas outlet M10x1 external nozzle ø 1.2mm pilot connection thermocouple connection M8x1 shaft ø 5.5x7mm shaft L 16/8.5mm shaft flat upper		

gas valves and ignition boxes

safety valves

miscellaneous




1

GEV No.	103138	Ref. No.	37002
description	gas valve gas inlet 1/4" left		

ignition parts

electrodes




1

GEV No.	107153	Ref. No.	G1305
description	ignition electrode flange length 22mm flange width 15mm D1 ø 8mm L1 30mm BL1 30mm BL2 19mm connection ø2.4mm cable length 350mm with flange		

piezoelectric igniters

mounting diameter 18mm



1

GEV No.	107152	Ref. No.	G1300
description	piezoelectric igniter body plastic blowing mounting ø 18mm connection ø2.4mm front measurements 26mm		



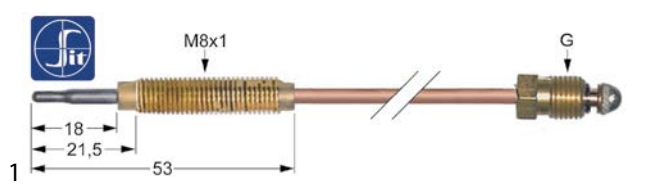
thermocouples

threaded thermocouples

threaded thermocouples standard

with socket with thread M8x1

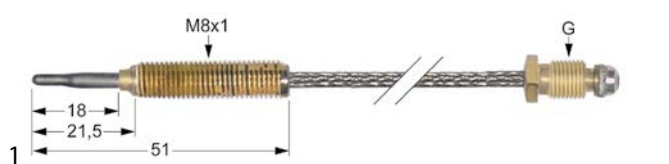
SIT



GEV No.	107627	Ref. No.	G1301
description	thermocouple SIT M8x1 L 220mm M8x1		


threaded thermocouples flexible

with socket with thread M8x1



GEV No.	102128	Ref. No.	37003
description	thermocouple M8x1 L 320mm M8x1		

accessories for 102128

	GEV No.	102067	Ref. No.	—
nut thread M8x1 H 3mm brass Qty 1 pcs type SEF 1				



GEV No.	103137	Ref. No.	46000-3.1
description	bar burner L 455mm W 140mm H 20mm mounting pos. left		

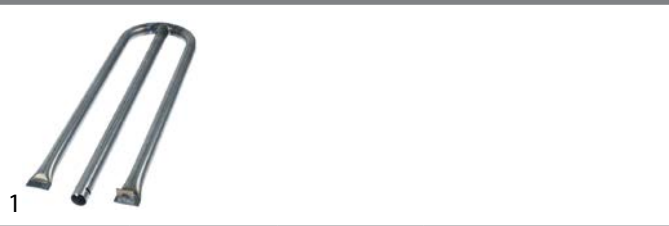


GEV No.	103135	Ref. No.	46000-3.3
description	bar burner L 455mm W 140mm H 20mm mounting pos. right		

gas burners

bar burners

bar burners



GEV No.	103136	Ref. No.	46000-3.2
description	bar burner L 455mm W 140mm H 20mm mounting pos. centre		

B

bar burners 4

G

gas burners 4

gas taps 3

P

piezoelectric igniters 3

S

safety valves 3

T

thermocouples 4